



AJPROTECH

PRODUCT DEVELOPMENT FROM IDEA TO MASS PRODUCTION

AJPROTECH
PRODUCT DEVELOPMENT SERVICES

AJPROTECH

is an award-winning IoT Product Development studio partnering with clients to develop & manufacture new Consumer electronics, Internet of Things, and Wearable devices



[About us in 1 minute](#)



Research & Development



Electrical Engineering

Our expertise



Product design &
Mechanical engineering



Design for Manufacturing &
Production Support

Industries we serve

Wearables



IoT devices



Consumer Electronics



Health and wellness





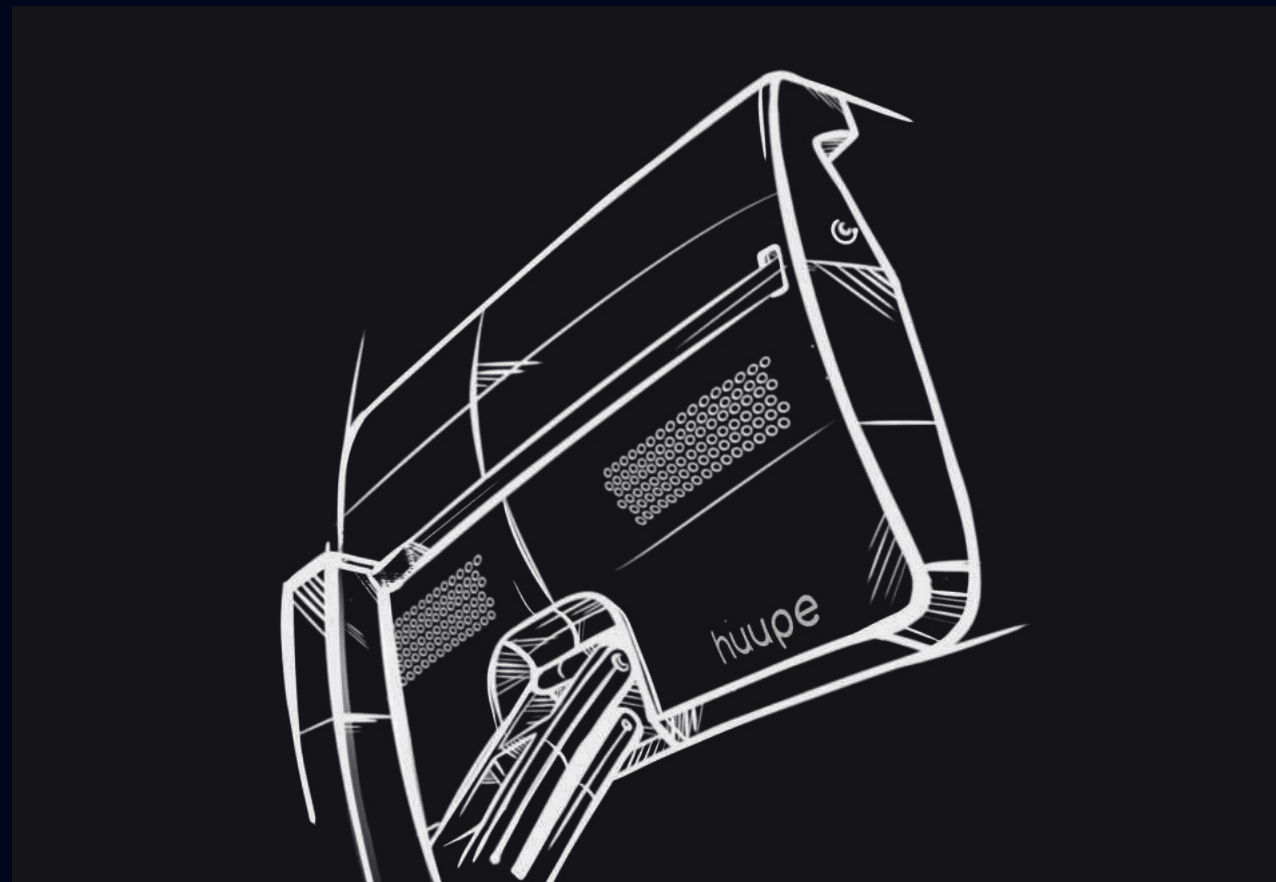
Research & Development is the foundation for your product

- # Feasibility study
- # Technology analysis
- # Cost estimate
- # Proof of Concept
- # Rapid prototyping

Engineering is an essential part for product success

- # Electrical engineering
- # Mechanical engineering
- # Firmware development
- # PCB design
- # Low Power devices
- # Wireless interfaces (BLE, Wi-Fi, LORA)
- # Engineering Validation (EVT)





Product design to make your device stand out

- # Industrial design
- # Mechanical engineering
- # Plastic enclosures
- # Metal and alloys
- # 3D printing
- # Silicon Molding
- # Rapid prototyping
- # 10-500 units initial batch

Design for Manufacturing to build your product at scale

- # Low volume production in house
- # Contract Manufacturer selection
- # Tooling design
- # Production support
- # Compliance testing



Our award-winning projects



Smart basketball hoop



Electric recumbent trike



Music creation platform

We are
trusted
by brands



**Industrial bluetooth
headphones**



**Neurofeedback
EEG device**



VR kinetic tracker

From idea
to mass
production



AR headset



IoT padlock with
mobile apps



Sleep Therapy
device

Proven track from idea to mass production

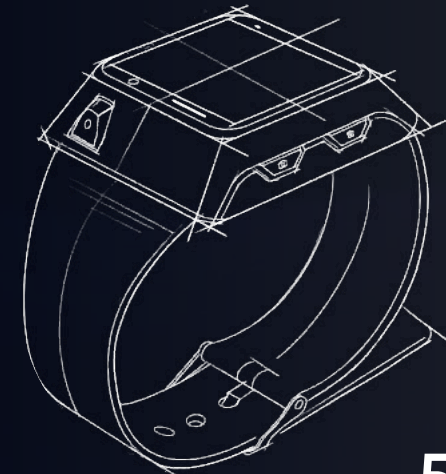
01 Feasibility study



2 - 3 months

- Solution research
- Product Specification
- Component selection
- Early industrial Design
- Cost estimate

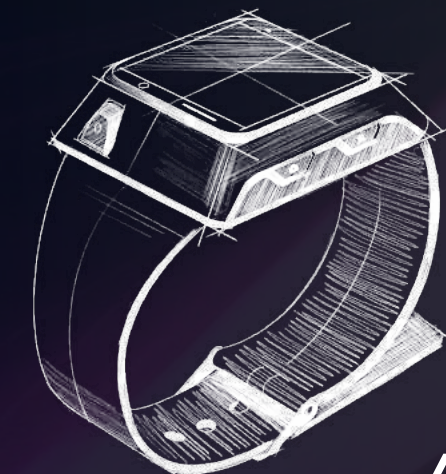
02 Engineering Validation



5 - 6 months

- Detailed engineering
- Industrial Design
- Electronics development
- Embedded firmware
- Mechanical design

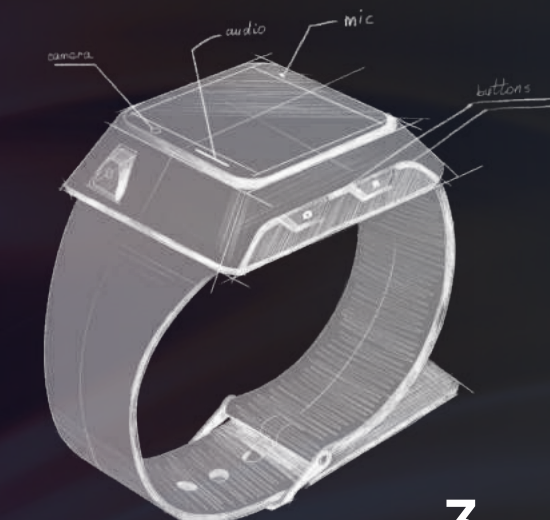
03 Design Validation



4 - 5 months

- Select Manufacturer (CM)
- Design for Manufacturing
- CMF (Color, Materials, Finishing)
- Electronics design ECO
- Firmware / Software finalization
- DFM for Mechanical parts

04 Production Validation



3 - 4 months

- Supply chain optimization
- Final tooling for all parts
- Prepare Functional tests
- Create test jigs
- Fault and yield review
- Order parts for first batch



Alex Gudilko

CEO, AJProTech

Engineer, Tech entrepreneur, Angel Investor

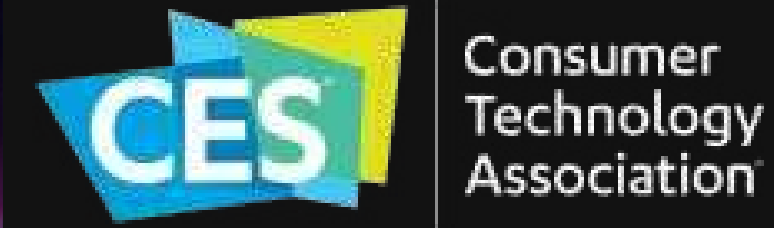
- 12 years of experience in Product Development for IoT gadgets, Consumer Electronics and Industrial systems
- Forbes Technology Council Expert
- Mentor at Plug & Play Tech Center

Startup mentorship

Advisory board

Investments

Recognized by



Development partnerships



Our clients

We are trusted partner for world best startups and industry leading global companies.

ExxonMobil

 **HYUNDAI**

 **UNITED STATES
POSTAL SERVICE**

40 Years of Zen

 **Guardio**
PERSONAL PROTECTION INNOVATION

WR
WIN REALITY

huupe

ABOM

 **WORLD COIN**

INNOVA IDEAS

TERRAGLIDE

MROSUPPLY
TRUSTED SINCE 1898™

fedora

Dave Asprey

sound oasis®
sleep better. feel better. live better.®

Our clients raised over \$200M from world top Venture Capital funds and crowdfunding platforms.

Contact us



AJProTech HQ

📍 26565 Agoura Road,
Suite 200
Calabasas, CA 91302

R&D and Manufacturing

📍 New Taipei City
120 Nan Shi St.

☎ Phone: +1 (818) 851-1502

✉ Email: hello@ajprotech.com

