



# AJPROTECH

PRODUCT DEVELOPMENT FROM IDEA TO MASS PRODUCTION

# AJPROTECH

AJProTech is an award-winning Product Development studio partnering with clients to develop & manufacture IoT, AI-enabled hardware, Consumer Electronics, and Wearable devices.



[About us in 1 minute](#)



Research & Development



Electrical Engineering

# Our expertise

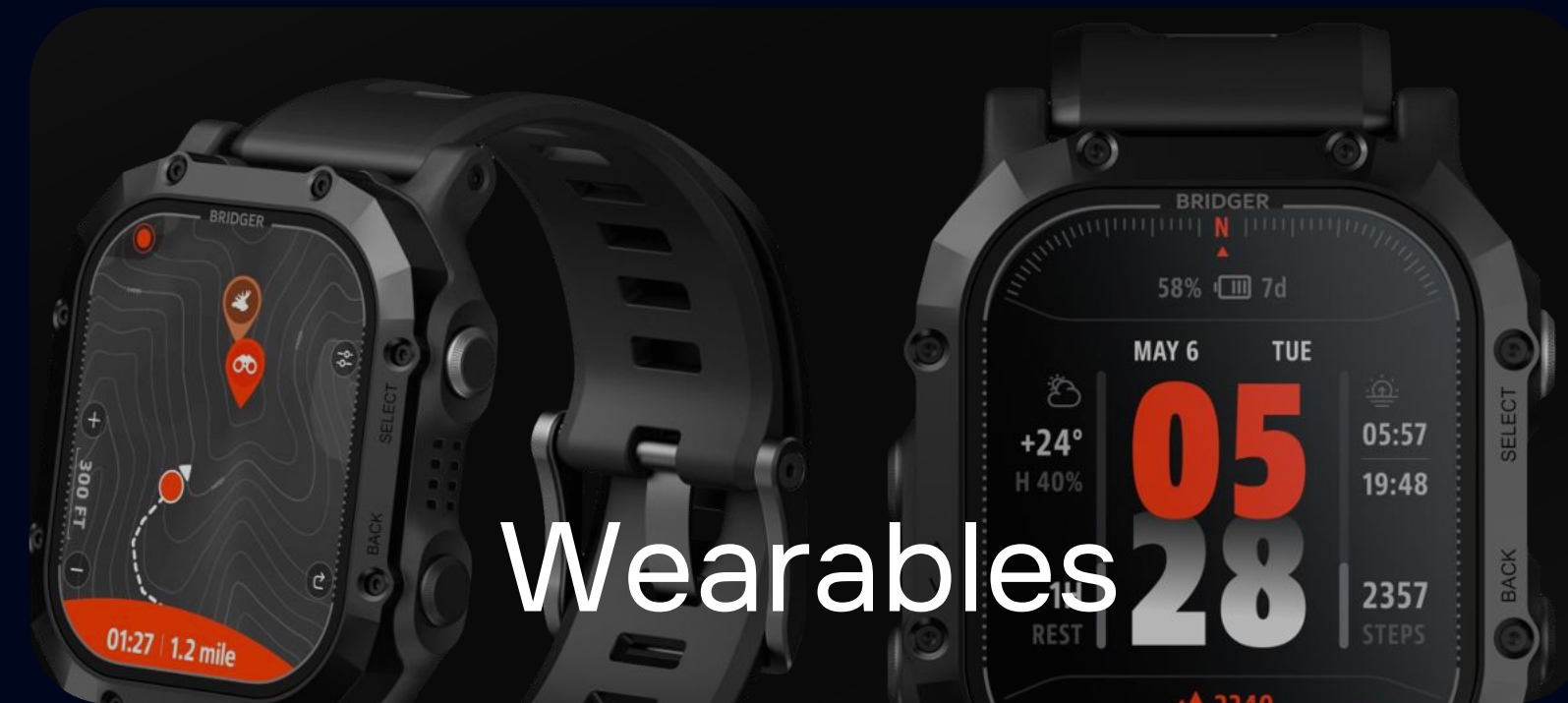
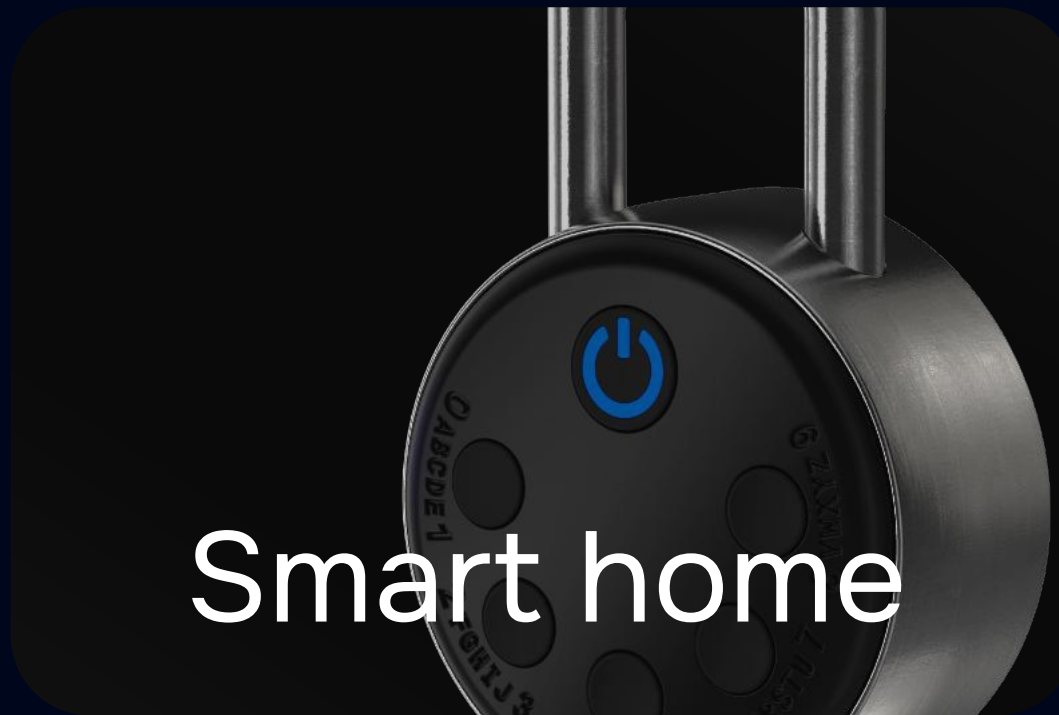
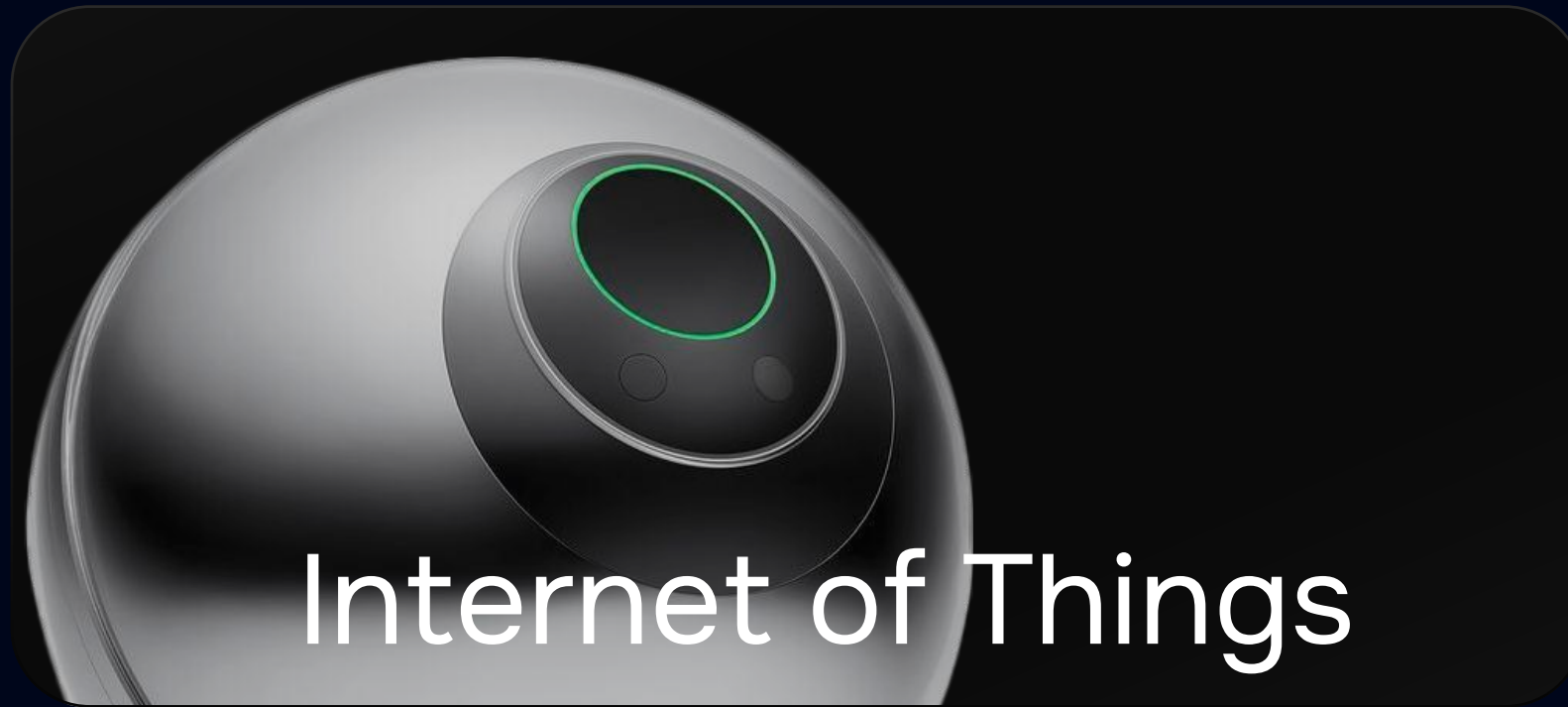


Product design &  
Mechanical engineering



Design for Manufacturing &  
Production Support

# Industries we serve





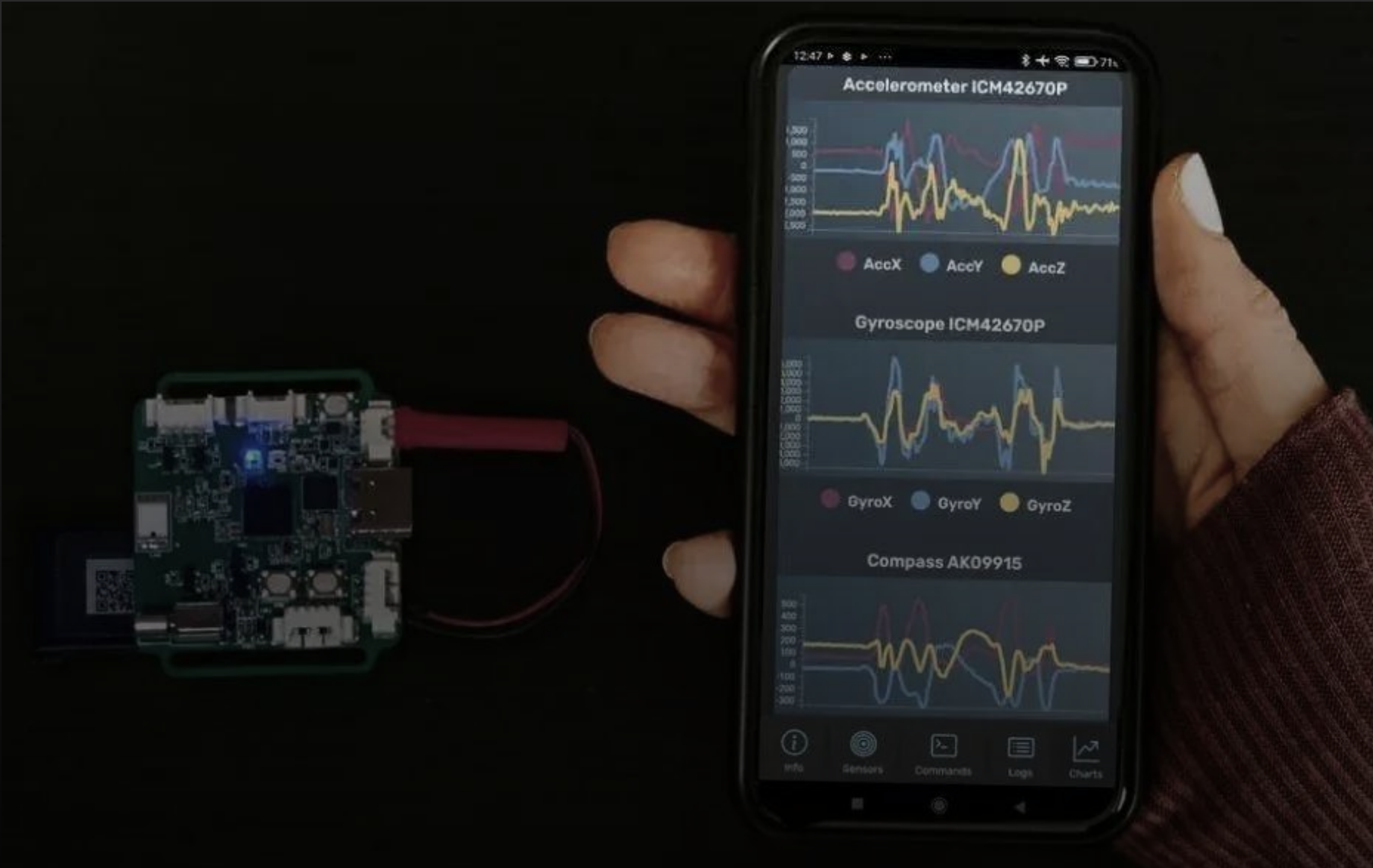
# Research & Development is the foundation for your product

- # Feasibility study
- # Technology analysis
- # Cost estimate
- # Proof of Concept
- # Rapid prototyping

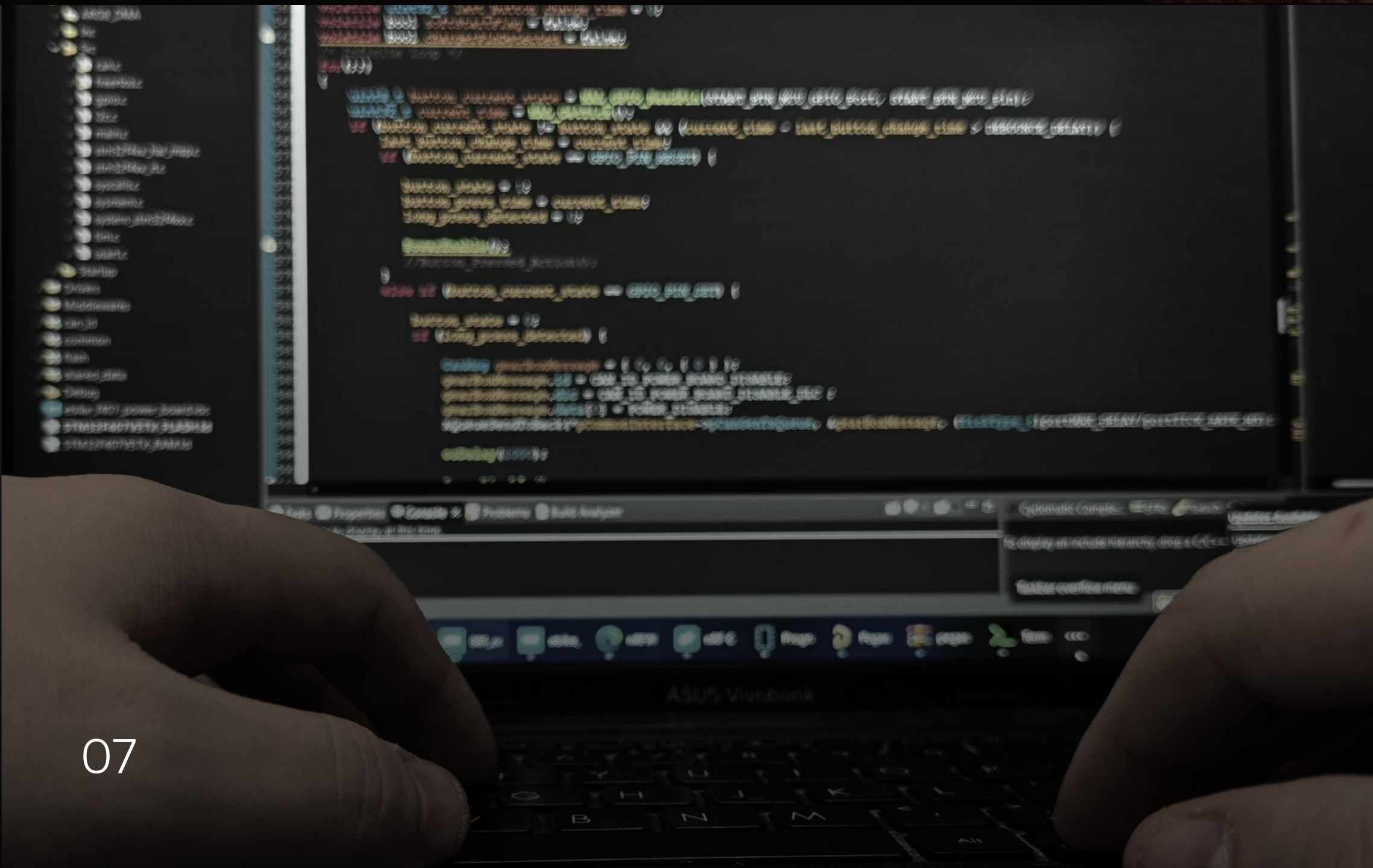
# Engineering is an essential part for product success

- # Electrical engineering
- # Mechanical engineering
- # Firmware development
- # PCB design
- # Low Power devices
- # Wireless interfaces (BLE, Wi-Fi, LORA)
- # Engineering Validation (EVT)





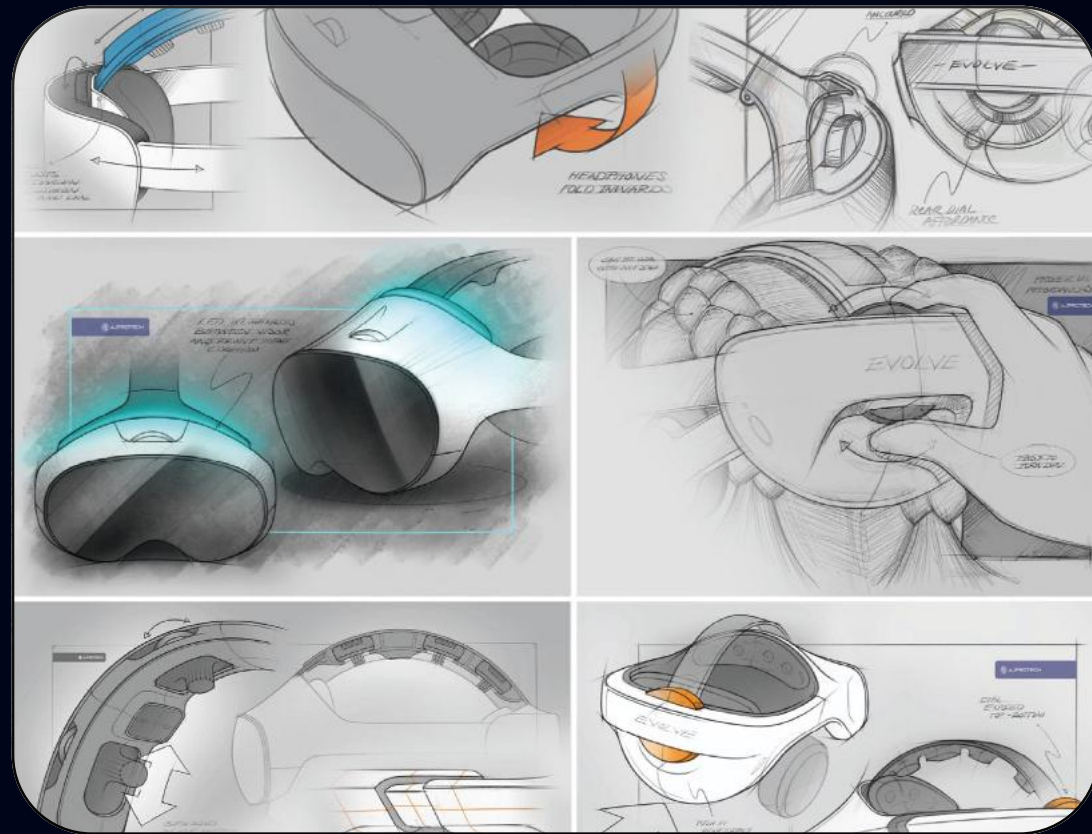
# Software Development to make your device smarter and connected



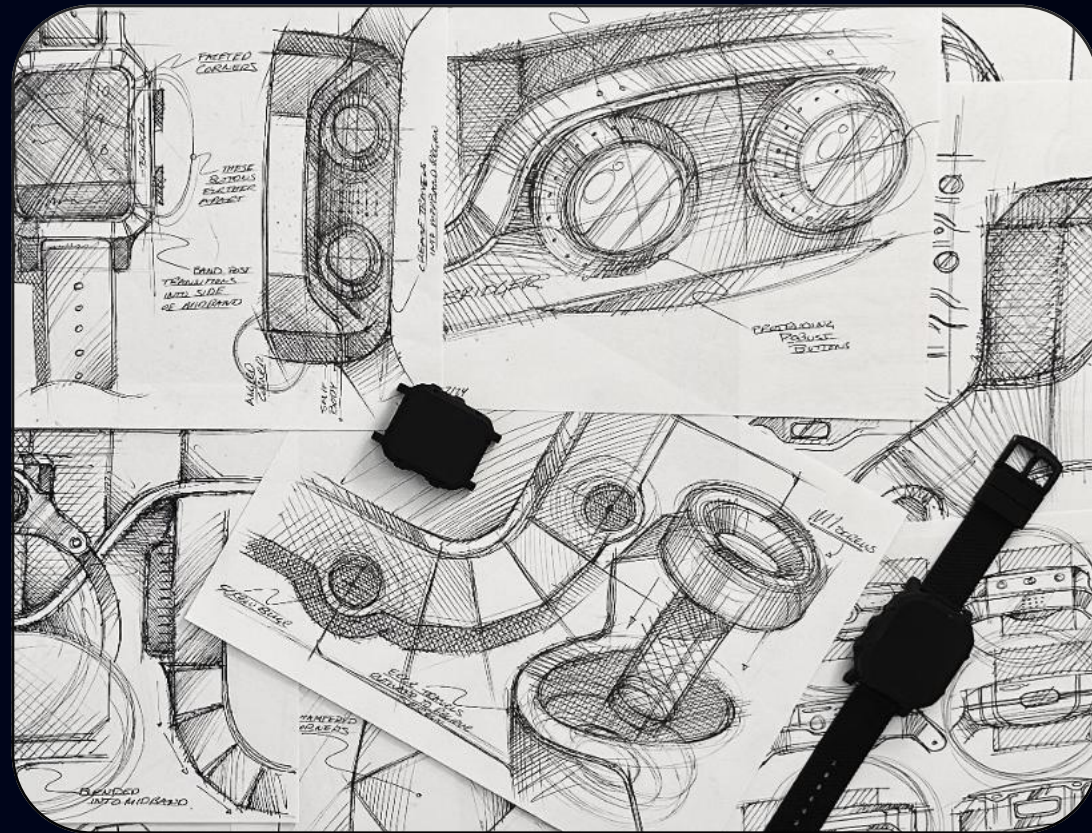
- # Connected IoT Mobile Apps
- # Computer Software
- # Backend Systems
- # UI / UX



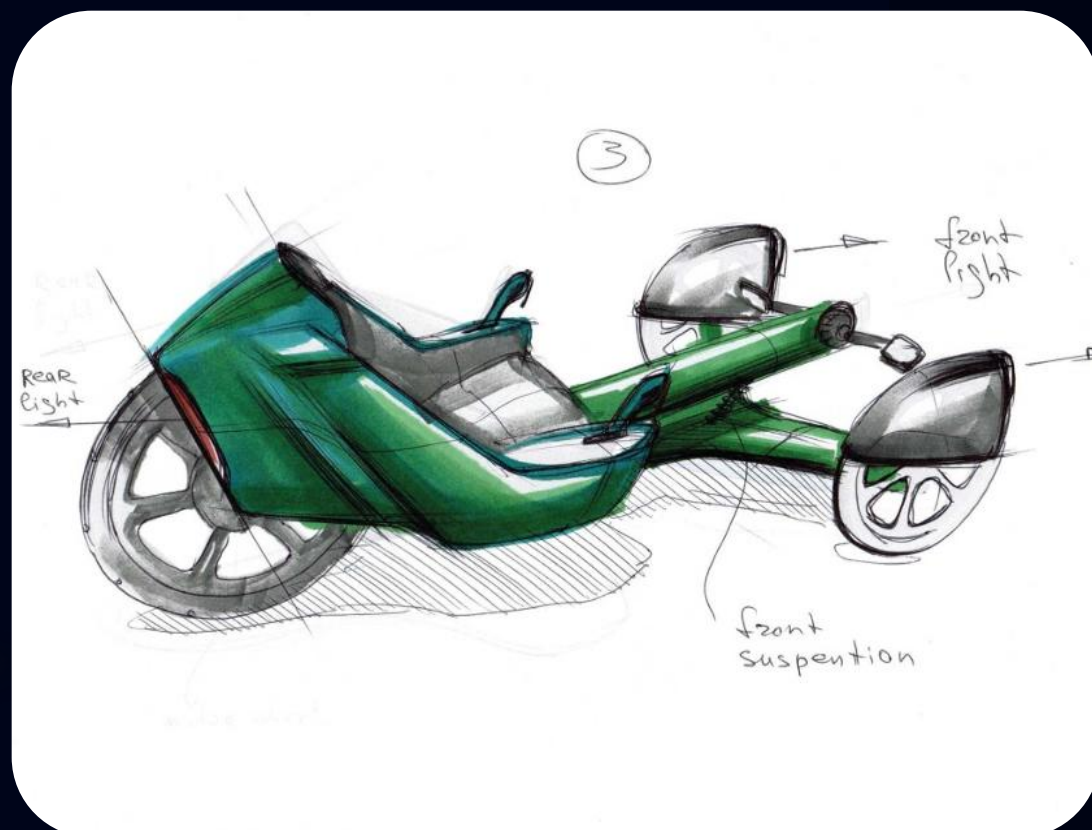
reddot award  
best of the best



DESIGN  
AWARD  
2025



A' DESIGN AWARD  
& COMPETITION



# Product design to make your device stand out

- # Industrial design
- # Mechanical engineering
- # Plastic enclosures
- # Metal and alloys
- # 3D printing
- # Silicon Molding
- # Rapid prototyping
- # 10-500 units initial batch

# Design for Manufacturing to build your product at scale

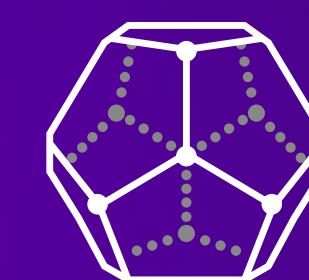
- # Low volume production in house
- # Contract Manufacturer selection
- # Tooling design
- # Production support
- # Compliance testing





reddot award  
best of the best

Our award  
-winning  
projects



**EVOLVE**

Neurofeedback VR Headset

Our award-winning projects



Recumbent electric tricycle



Smartwatch for hiking trails

Our award  
-winning  
projects



Smart basketball hoop



Music creation platform

We are  
trusted  
by brands



Smart mini  
basketball hoop



Biometric device



Biofeedback VR  
headset

From idea  
to mass  
production



Dental health  
device



IoT padlock with  
mobile apps



Sleep Therapy  
device

We are  
trusted  
by brands



Industrial bluetooth  
headphones



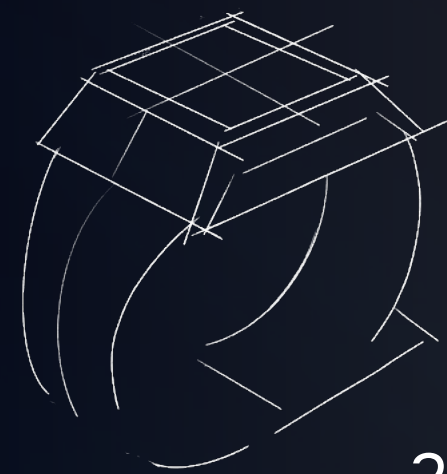
Neurofeedback  
EEG device



VR kinetic tracker

# Proven track from idea to mass production

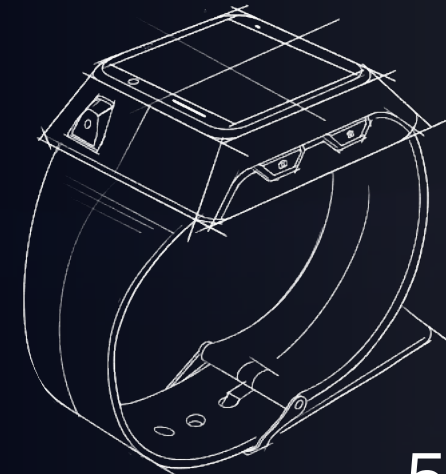
## 01 Feasibility study



2 - 3 months

- Solution research
- Product Specification
- Component selection
- Early industrial Design
- Cost estimate

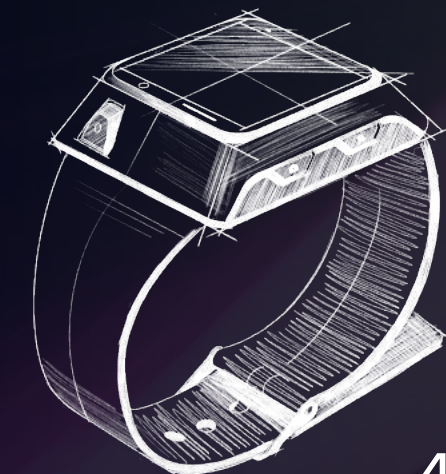
## 02 Engineering Validation



5 - 6 months

- Detailed engineering
- Industrial Design
- Electronics development
- Embedded firmware
- Mechanical design

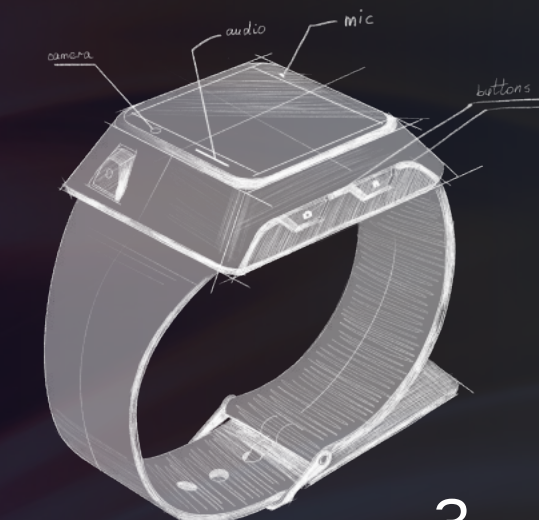
## 03 Design Validation



4 - 5 months

- Select Manufacturer (CM)
- Design for Manufacturing
- CMF (Color, Materials, Finishing)
- Electronics design ECO
- Firmware / Software finalization
- DFM for Mechanical parts

## 04 Production Validation



3 - 4 months

- Supply chain optimization
- Final tooling for all parts
- Prepare Functional tests
- Create test jigs
- Fault and yield review
- Order parts for first batch



# Alex Gudilko

CEO, AJProTech

Engineer, Tech entrepreneur, Angel Investor

- 12 years of experience in Product Development for IoT gadgets, Consumer Electronics and Industrial systems
- Forbes Technology Council Expert
- Mentor at Plug & Play Tech Center

# Startup mentorship

# Advisory board

# Investments

# Recognized by



# Development partnerships



# Our clients

We are trusted partner for world best startups and industry leading global companies.

**ExxonMobil**

 **HYUNDAI**

 **UNITED STATES  
POSTAL SERVICE**

**40** Years of Zen

 **Guardio**  
PERSONAL PROTECTION INNOVATION

**WR**  
WIN REALITY

huupe

**ABOM**

 **WORLD COIN**

**INNOVA IDEAS**

**TERRAGLIDE**

**MROSUPPLY**  
TRUSTED SINCE 1898™

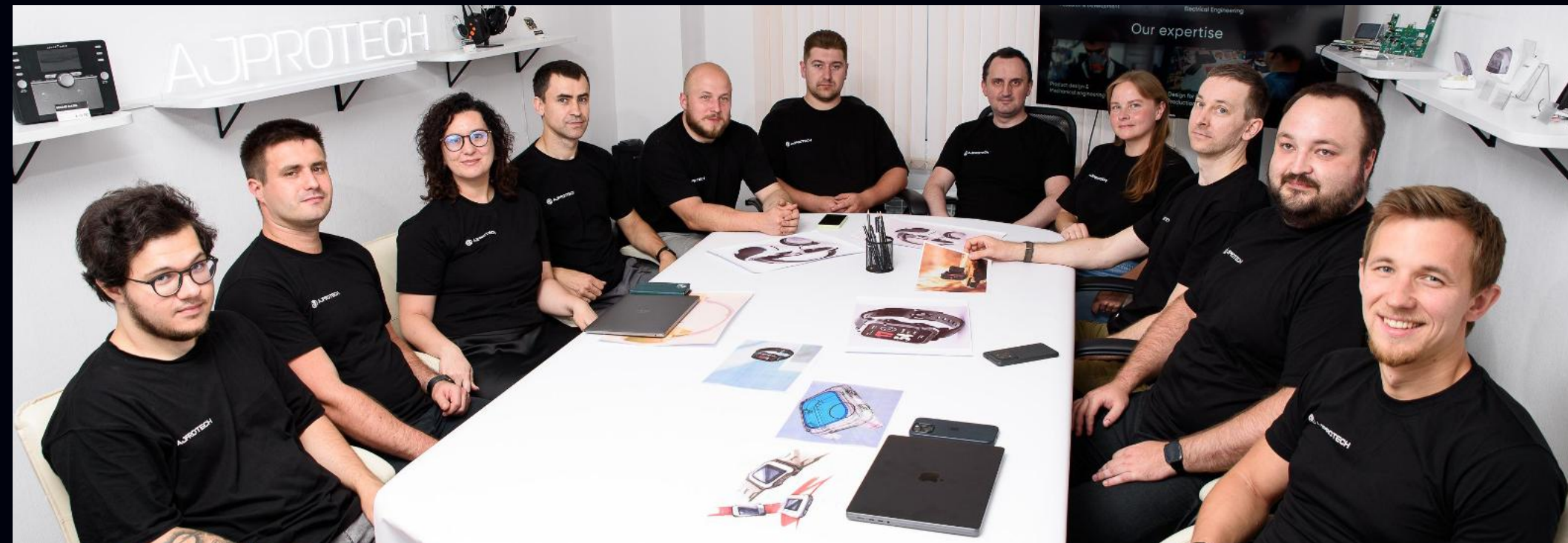
fedora

*Dave Asprey*

**sound oasis**®  
*sleep better. feel better. live better.*®

Our clients raised over \$200M from world top Venture Capital funds and crowdfunding platforms.

# Contact us



## AJProTech HQ

📍 26565 Agoura Road,  
Suite 200  
Calabasas, CA 91302

## R&D and Manufacturing

📍 New Taipei City  
120 Nan Shi St.

☎ Phone: +1 (818) 851-1502

✉ Email: [hello@ajprotech.com](mailto:hello@ajprotech.com)

